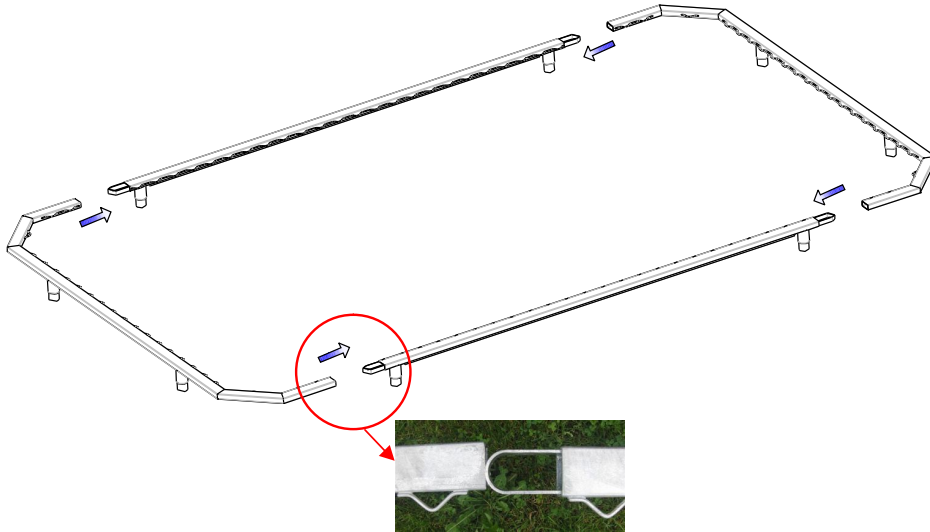
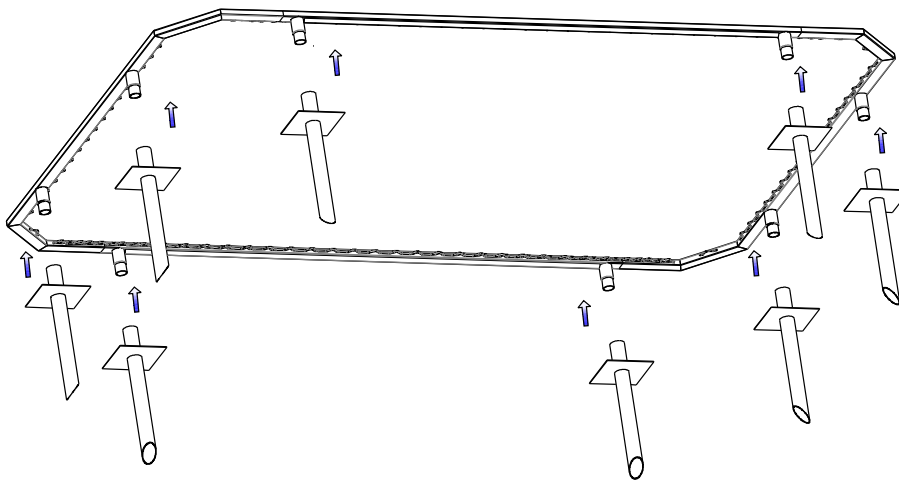


TEPL238-i assembly instructions

1. First, build up the frame



2. Attach the inground pins under the frame



3.

Strike the frame including the inground pins evenly into the ground with a hammer.

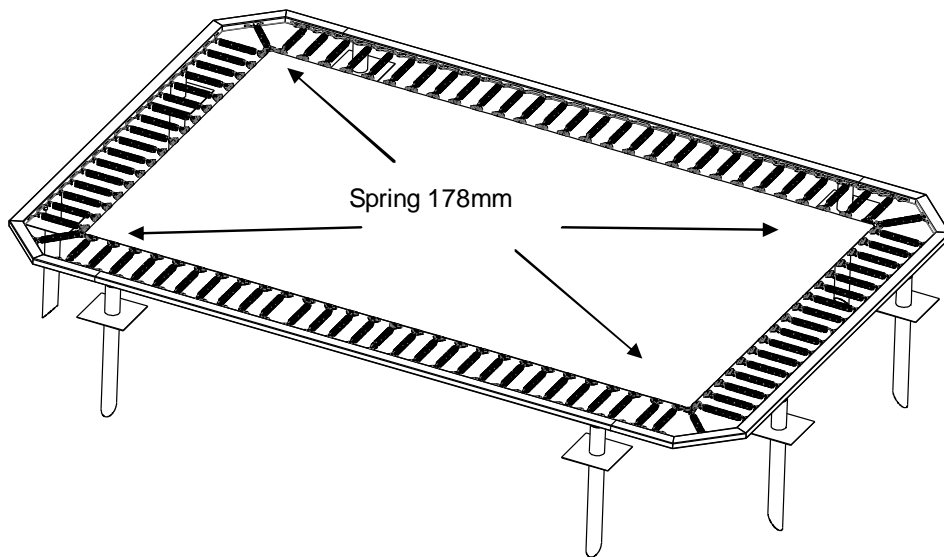
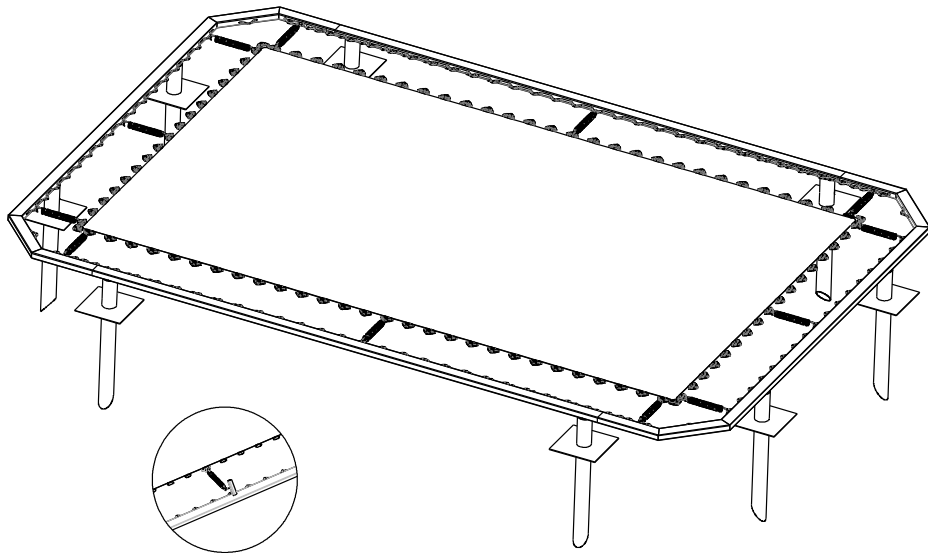


4.

Dig the hole - Min. 75 cm !!!

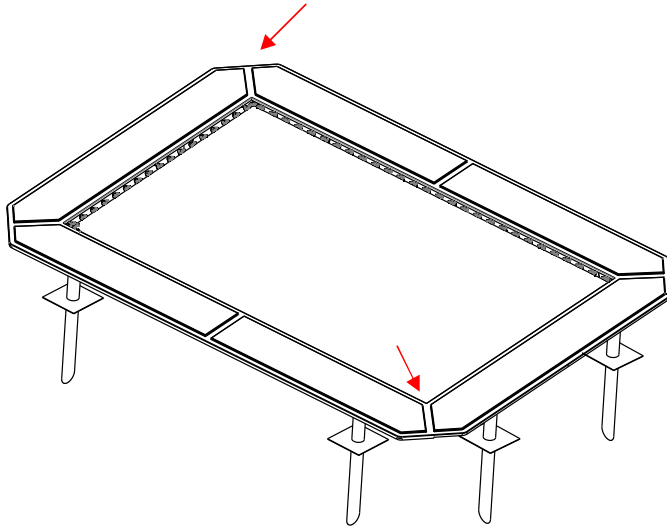


5. After digging the hole, assemble the jumping mat

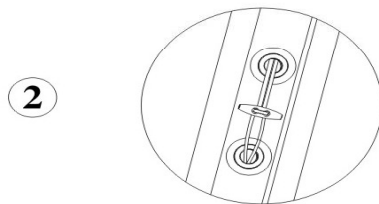
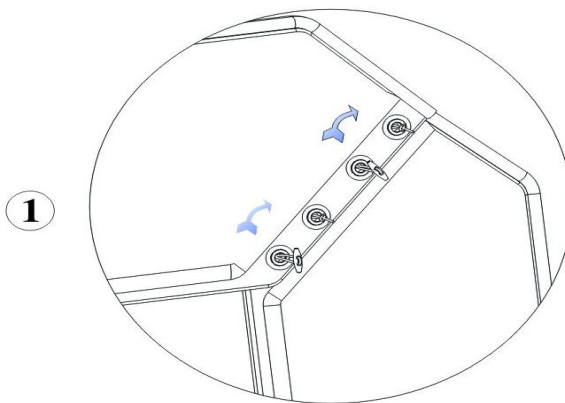


※ Note, there are four pieces of 178mm spring as arrow indicated.

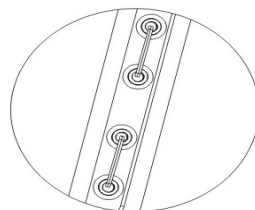
6. Assemble the safety pad



Assemble safety pad on the frame with the included fasteners.



Bottom



Top

Attention : Safety Pad

Assembly / Safety Pad Detail

For more details about how to connecting the safety together, please read page 38 from users manual

Use the included fasteners for assembly the pad on the frame, please read page 47 from user manual for assembly instruction



7. Check the total height !!



From ground to top frame it must be min. 86 cm !!



Completed !! Have fun with the inground trampoline!

A product of
TE AVYNA

High Quality Outdoor Leisure Products
Steel Products & Vinyl Products



www.teavyna.com