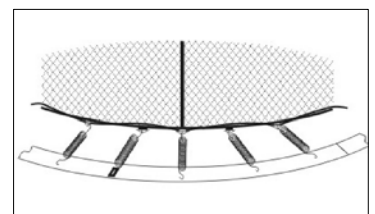
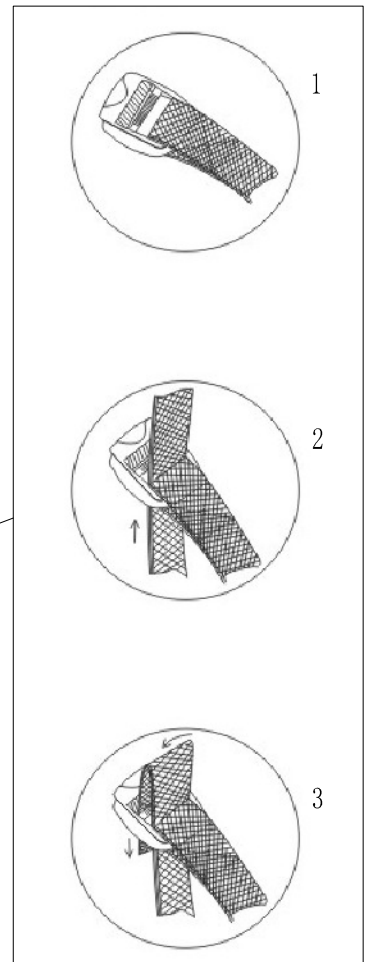
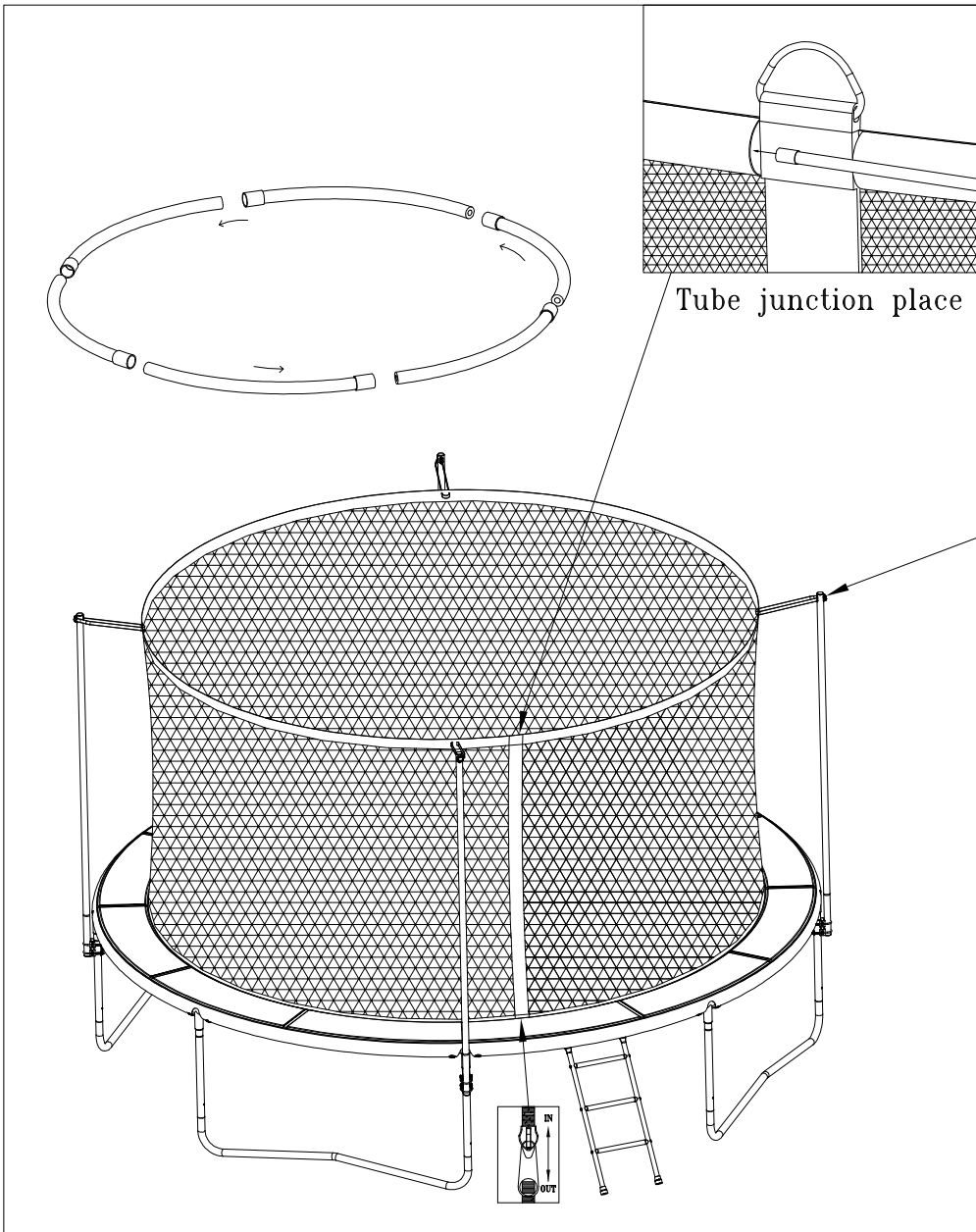
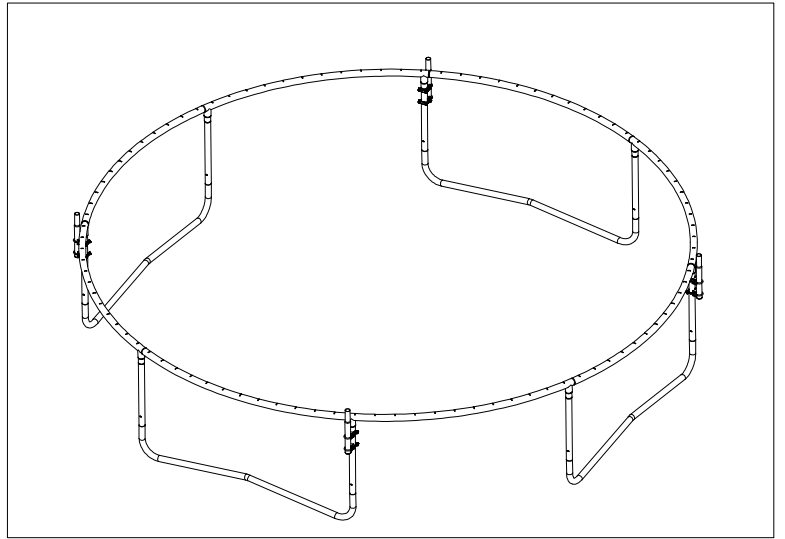
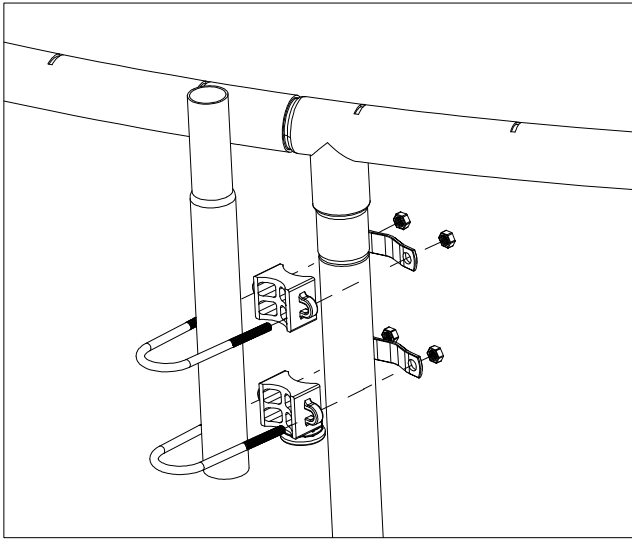


# ASSEMBLY / ASSEMBLAGE



## How to attach?

Attach the rope to the eye of the spring. Then you put the rope from the outside to the inside through a mesh of the net. Then take back the rope from under the net and thread it then again through the eye of the spring. Keep in mind to skip 1 spring every time.